



ENGINE

Make: CATERPILLAR

Model: C7 6 Cylinder Diesel Engine,

Displacement: 7.242 litre

252 PS / 167KW @ 2200 rpm

CAPACITIES

Fuel Tank capacity: 240 Litres

Machine weight: 13500Kg

Payload: 11000Kg

PERFORMANCE

Travel speed: - Low 0 ~ 8 kph

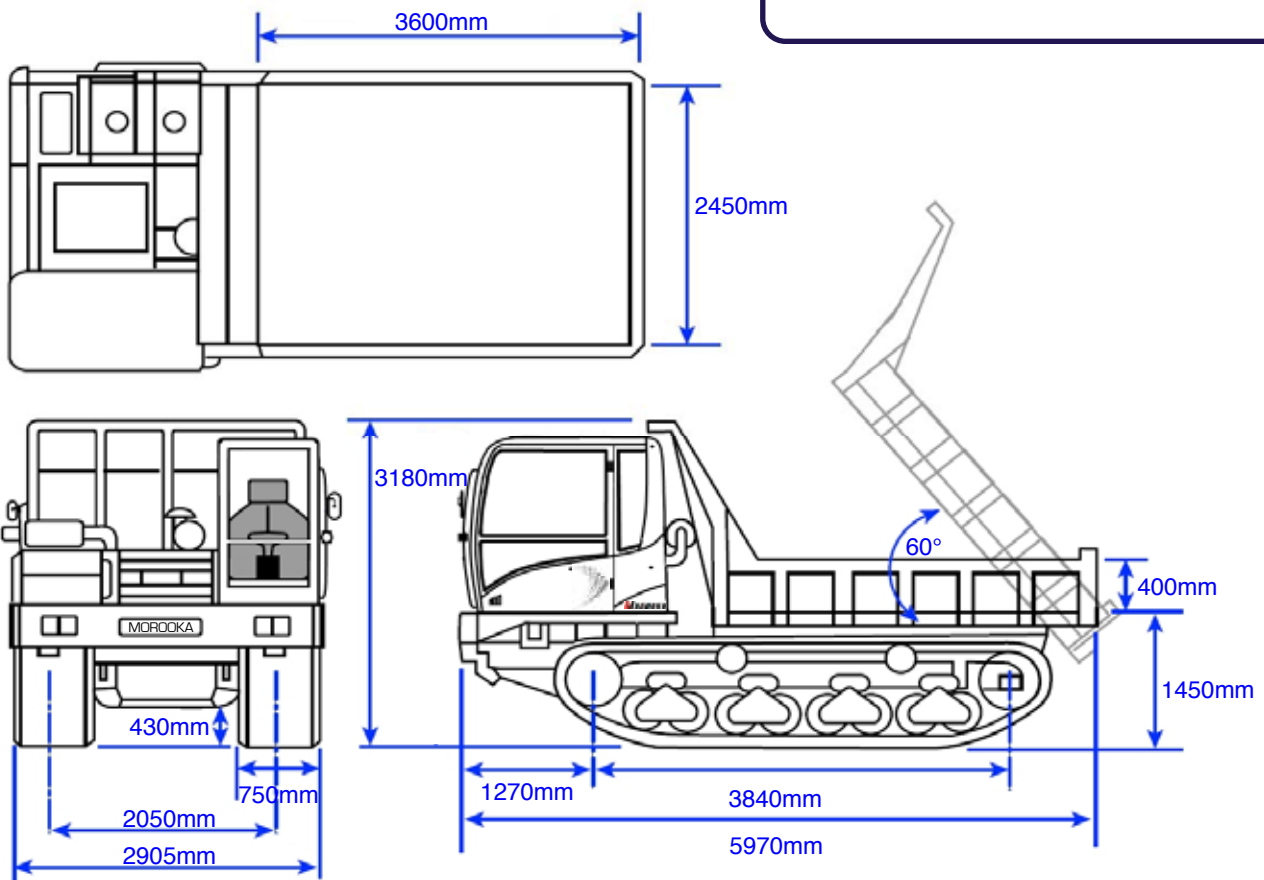
Travel speed: - High 0 ~ 12 kph

Gradeability: (empty) 30 degrees

Ground Pressure empty: 0.22 Kg/cm²

Track width: 750mm

DIMENSIONS



The Causeway, Great Horkesley, Colchester, Essex
CO6 4EJ. United Kingdom
T 44 (0)1206 273111 F 44 (0)1206 273281

Moss Road, Kearsley, Bolton, Lancashire
BL4 8NE. United Kingdom
T 44 (0) 1204 791122 F 44 (0) 1204 862453