

NTD

NATIONAL TRACKED DUMPER HIRE LTD



11 TONNE RIGID

SPECIFICATION

All dimensions below were correct at time of print, E&OE.



MODEL: MST-2200VD

6 CYLINDER, DISPLACEMENT: 7.242 LITRES

252PS / 167KW @ 2200RPM / EU Stage IIIA

FUEL TANK CAPACITY: 300 LITRES

MACHINE WEIGHT: 13500KG

PAYLOAD: 11000KG

MAX TRAVEL SPEED: 12KPH

GRADEABILITY (EMPTY): 30°

GROUND PRESSURE (UNLOADED): 0.22KG/CM²

GROUND PRESSURE (LOADED): 0.40KG/CM²

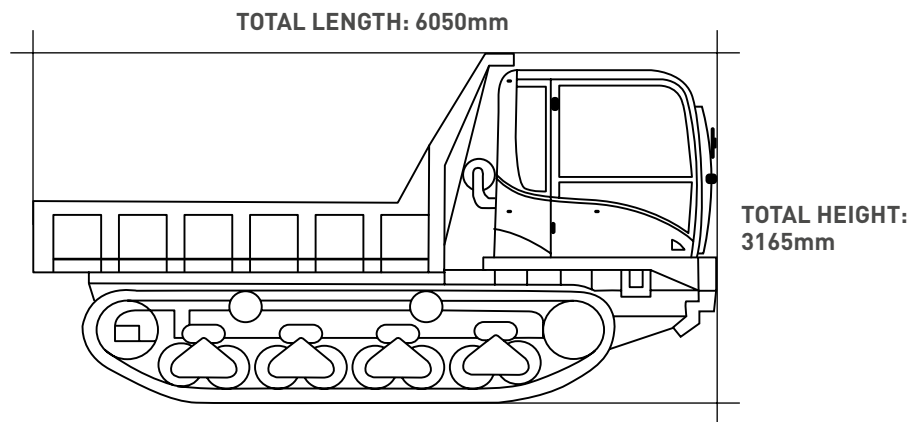
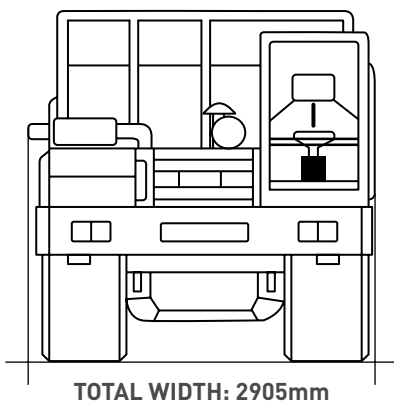
TRACK WIDTH: 750MM

DUMP BODY CAPACITY (STRUCK): 3.53M³

DUMP BODY CAPACITY (HEAPED): 5.97M³



If you require a tracked dumper capable of carrying a larger volume for bulk material handling. This machine offers a carrying capacity of 11 tonne and is a popular selection on larger sites working in tandem with other machines to ensure high levels of productivity.



FEATURE ICONS



SEATBELT BEACON SYSTEM



ROPS OPERATORS CAB



BIODEGRADABLE HYDRAULIC OIL



HYDRAULIC ISOLATION SYSTEM



REVERSING CAMERA



360° CAMERA



360° SLEWING

NTD National Tracked Dumper Hire Ltd, Weston Yard, Albury, Surrey GU5 9AF

0844 376 0051

hiredesk@ntdh.co.uk

www.ntdh.co.uk

