

# NTD

NATIONAL TRACKED DUMPER HIRE LTD



## 7 TONNE RIGID

## SPECIFICATION

All dimensions below were correct at time of print, E&OE.



This tracked dumper offers the perfect combination of payload and performance. These rigid rear tip tracked dumpers are ideal for working in construction, environmentally sensitive, agricultural and recreational sites. They have great traction in adverse ground and can travel on steep inclines where a wheeled dumper struggles. Offering low ground pressure rubber tracks, ensuring reduced soil compaction.

### MODEL: MST-1500VD

6 CYLINDER, DISPLACEMENT: 6.6 LITRES

228PS / 167KW @ 2200RPM / EU Stage IIIA

FUEL TANK CAPACITY: 156 LITRES

MACHINE WEIGHT: 9200KG

PAYLOAD: 7000KG

MAX TRAVEL SPEED: 11KPH

GRADEABILITY (EMPTY): 30°

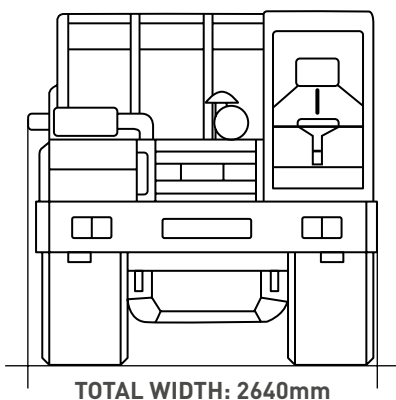
GROUND PRESSURE (UNLOADED): 0.21KG/CM<sup>2</sup>

GROUND PRESSURE (LOADED): 0.28KG/CM<sup>2</sup>

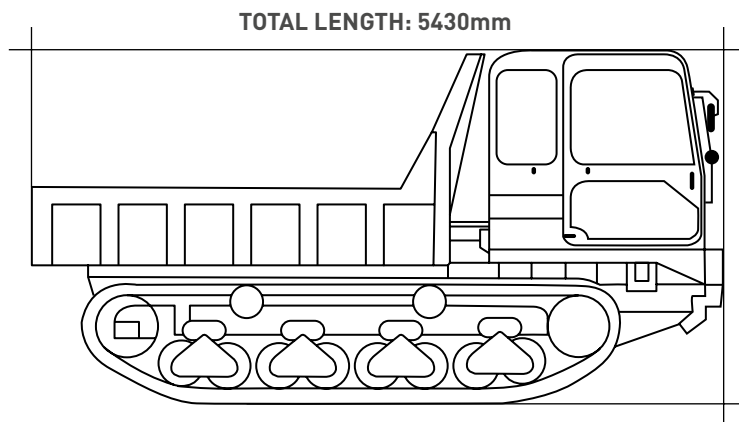
TRACK WIDTH: 700MM

DUMP BODY CAPACITY (STRUCK): 2.34M<sup>3</sup>

DUMP BODY CAPACITY (HEAPED): 3.9M<sup>3</sup>



TOTAL WIDTH: 2640mm



TOTAL LENGTH: 5430mm

TOTAL HEIGHT: 2900mm

### FEATURE ICONS



SEATBELT BEACON SYSTEM



ROPS OPERATORS CAB



BIODEGRADABLE HYDRAULIC OIL



HYDRAULIC ISOLATION SYSTEM



REVERSING CAMERA



360° CAMERA



360° SLEWING

NTD National Tracked Dumper Hire Ltd, Weston Yard, Albury, Surrey GU5 9AF

0844 376 0051

hiredesk@ntdh.co.uk

www.ntdh.co.uk

