

NTD

NATIONAL TRACKED DUMPER HIRE LTD

TRACKED UTV

SPECIFICATION

All dimensions below were correct at time of print, E&OE.



MODEL: KAWASAKI MULE PRO DTX

3 CYLINDER, DISPLACEMENT: 1 LITRE

24.2PS / 17.8KW @ 3600RPM / EPA Final Tier 4 Compliant

FUEL TANK CAPACITY: 30 LITRES

FUEL TYPE: DIESEL

2-4 SEAT CONFIGURATION

MACHINE WEIGHT: 880KG

MAX TRAVEL SPEED: 48KPH

CARGO BED LOAD CAPACITY: 453KG with 2 people

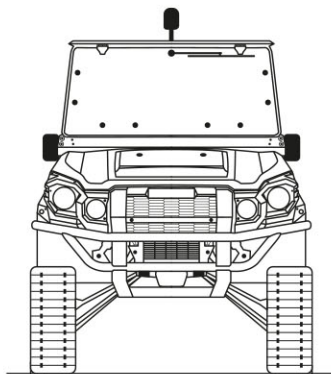
CARGO BED LOAD CAPACITY: 158KG with 4 people

TOWING CAPACITY: 907KG including trailer and cargo

MAXIMUM VEHICLE LOAD: 714KG with 4 people and cargo

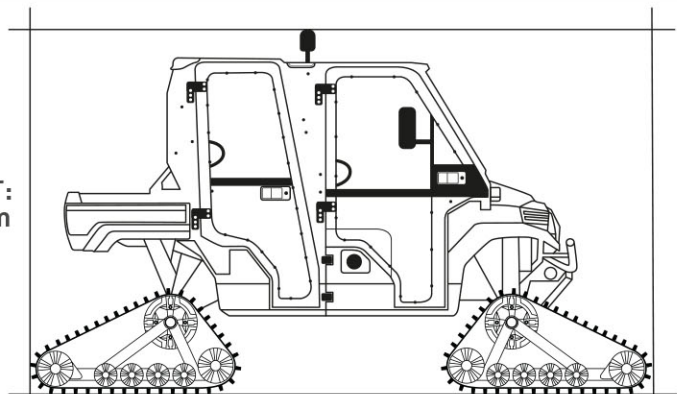


The MULE PRO-DXT utility vehicle has a wide-bodied chassis & wheelbase, providing stability and comfort. Electrically selected 2/4WD and dual mode rear differential system allows ease in changing between drive systems to suit all terrains and applications, The Trans Cab system switches between four to two person mode in less than a minute, making this an incredibly versatile machine.



TOTAL WIDTH: 1906mm

TOTAL HEIGHT: 2350mm



TOTAL LENGTH: 3850mm

FEATURE ICONS



HUMAN FORM RECOGNITION SYSTEM



ROPS OPERATORS CAB



BIODEGRADABLE HYDRAULIC OIL



HYDRAULIC ISOLATION SYSTEM



SEATBELT BEACON SYSTEM



REVERSING CAMERA



360° CAMERA



360° SLEWING

NTD National Tracked Dumper Hire Ltd, Weston Yard, Albury, Surrey GU5 9AF

0844 376 0051

hiredesk@ntdh.co.uk

www.ntdh.co.uk

